

# RegO® Stainless Steel Relief Device Diverter (3-Way) Valve DV4108 Series

## Application

The DV4108 Diverter Valve Series provides a lightweight, simplified solution for the isolation of pressure relief valves during testing and change out of relief valves and burst discs without requiring evacuation of the vessel and guaranteeing that one port will be available to work during the operation. This all stainless steel diverter valve is ideal for use with oxygen, nitrogen, krypton, carbon dioxide, nitrous oxide, dinitrogen monoxide, carbon oxide, methane, ethane, ethylene, argon, and LNG.

## Features

- High flow rates complement the RegO AR and PRV series pressure relief valves
- Outlet ports sufficiently spaced to allow AR and PRV series relief valves as well as burst discs to be easily installed and removed
- Compact, lightweight design
- Unique resilient seat design with Dyneon™ TFM 1600 material provides smooth operation and bubble tight seal in cryogenic conditions
- Special seal design using proven Kold-Seal technology, live loaded PTFE in conjunction with wave springs and added sealing protection prevent internal and external leakage (EN 1626:2008 compliant)
- Clearly labeled, heavy duty lever arm and locking pin provide positive isolation verification
- Various connection and configuration options available
- Bracket included for easy installation
- Service: Liquefied and vaporized atmospheric gases, LNG
- Temperature rating: -320°F to +150°F (-196°C to +65°C)
- Pressure rating: Cold, non-shock, 720 PSIG (50 BAR) Class 300 (PN 50)
- 100% factory tested; each valve is individually bagged and boxed to arrive in factory new condition until installation
- Cleaned and packaged for oxygen service per CGA G-4.1

PED Certified 

## Materials

Body ..... 316 Stainless Steel ASTM A351-CF-8M (DIN 1.4408)  
 Ball.....316L Stainless Steel ASTM A276 (DIN 1.4006 )  
 Seat .....Dyneon TFM 1600  
 End caps..... 304 Stainless Steel ASTM A743 (DIN 1.4027)  
 Wave springs ..... Stainless Steel ASTM A313 (DIN 1.4544)  
 Wave spring washers 304 Stainless Steel ASTM A182 (DIN 1.5415)  
 Packing ..... Live Loaded PTFE  
 Stem .....316L Stainless Steel ASTM A276 (DIN 1.4006)  
 Lever..... 304 Stainless Steel ASTM A182 (DIN 1.5415)  
 Bracket ..... 304 Stainless Steel ASTM A182 (DIN 1.5415)

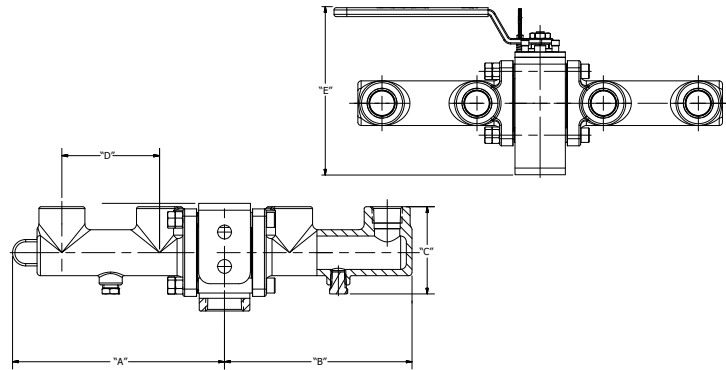
## Ordering Information

Part Number	Inlet Inches (mm)	Outlet Inches (mm)	Outlet Connection Type	Outlet Port Orientation	Bleeder Connection	A Inches (mm)	B Inches (mm)	C Inches (mm)	D Inches (mm)	E Inches (mm)	Open Port	Cv (Kv)	
DV4108SU04	1 (DN25)	½ (DN15)	Thread NPTF	4 ports, all opposite of Inlet	1/4" NPTF, same side as inlet	7.29 (185)	6.42 (163)	2.98 (76)	3.34 (85)	5.90 (150)	One Side	12.0 (10.4)	
DV4108SU06		¾ (DN20)									Both Sides	21.7 (18.8)	
DV4108SU08		1 (DN25)									One Side	13.3 (11.5)	
DV4108SM04		½ (DN15)									Both Sides	22.5 (19.5)	
DV4108SM06		¾ (DN20)		1 (DN25)	1 port up, 1 port down on each side		1/4" NPTF, 90° from inlet	3.72 (95)	3.2 (80)		4.45 (113)	One Side	16.0 (13.8)
												Both Sides	25.3 (21.9)
												One Side	11.0 (9.5)
												Both Sides	20.0 (17.3)
DV4108SM08	1 (DN25)	One Side	13.3 (11.5)										
		Both Sides	21.6 (18.7)										
		One Side	14.1 (12.2)										
		Both Sides	23.2 (20.1)										

Other outlet port orientation options available; please contact your Sales representative with inquiries.



DV4108SU Series



DV4108SM Series

