

Shut-off valves T9464LDR and T9464LES

Application

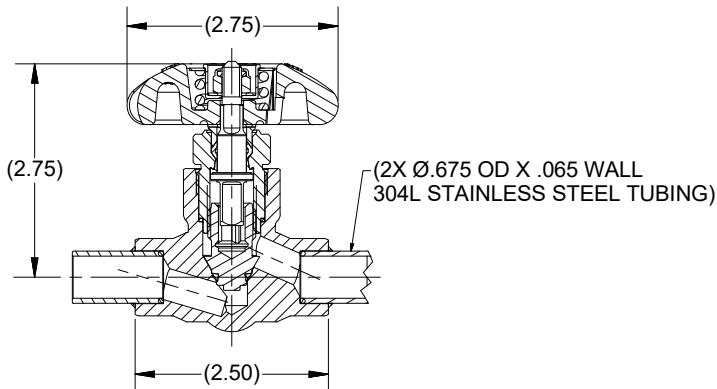
Designed to conform to space constraints in LNG fueling systems. Maintains the same flow and outstanding service life of all RegO cryogenic in-line shut-off valves.

Features

- Spring-loaded stem seal automatically adjusts for any gasket wear, eliminating the need to constantly retighten the packing nut
- Non-rising stem and low profile allow the valve to fit into tight areas of LNG fueling systems and still provide easy access
- Unique pressure-sealed moisture barrier helps prevent freeze-up at cryogenic temperatures
- Conical swivel seal design helps prevent seat galling from over-torquing
- Maximum working pressure is 600 psig (41.3 barg)
- Working temperature range is -320°F to +165°F (-196°C to +74°C)
- Designed in accordance with & approved by ECE R110
- 100% factory tested

Materials

Tube	Stainless Steel
Body	Brass
Bonnet	Brass
Seat	CTFE
Gasket	PTFE
Handwheel.....	Aluminum
Spring	Stainless Steel
Upper Stem	Brass
Lower Stem	Magnesium Bronze
Fitting.....	Brass



Ordering Information

Part Number	Outlet	Inlet	C _v Factor for Gaseous Flow	C _v Factor for Liquid Flow
T9464LDR	½" Flared tube fitting 45° elbow.	.675 Tube	1.08"	1.79"
T9464LES	¾" NTPF	.813 Tube		
T9464LJS				



T9464LDR



T9464LES



T9464LJS