

Stainless Steel Globe Valves for Cryogenic Service

SK Advantage Series Long Stem, Inlet Socket Weld, Outlet Threaded NPT

Application

The SK Advantage Series of Stainless Steel Globe Valves are designed for handling cryogenic liquids through trailer, bulk vessels and piping configurations. Ideal service medium includes oxygen, nitrogen, krypton, carbon dioxide, dinitrogen monoxide, carbon dioxide, methane, ethane, ethylene, argon and LNG. Our Kold-Seal stem seal technology assures a tight seal preventing cryogen gas loss. The conical seat design allows exceptional flow, positive shutoff and less chance of debris accumulation in the flow path, all resulting in an overall longer service life. Maintenance on the packing and seat is quick and easy.

Features

- **Soft Seat:** PCTFE material which is the most widely specified cryogenic seat material in the industry
- **Construction:** Bolted bonnet allows easy access to the valve internals for servicing
- **Stem Packing:** Proven Kold-Seal technology, Live Loaded PTFE
- **Sizes:** 1/4" through 2"
- **Connection:** Threaded NPT
- **Service:** Liquefied and vaporized atmospheric gases, LNG
- **Temperature Rating:** -320°F to +150°F (-198°C to +65°C)
- **Pressure Rating:** Cold, Non-Shock, 725 psig (50 barg) Class 300 (PN 50)
- Cleaned and packaged for oxygen service per CGA G-4.1
- **Application:** Multiple stem lengths available for selected service
- **Packaging:** Each valve is individually bagged and boxed to arrive in factory new condition until installation

Materials

Body Stainless Steel ASTM A351 CF8
 Bonnet and Tube .. Stainless Steel ASTM A351 CF8/ASTM A479 type 304
 StemStainless Steel ASTM A582 S30300
 Spring.....Stainless Steel ASTM A313 S30200
 Packing..... Live Loaded PTFE Packing
 Gasket.....PTFE 25% Glass Fill
 Seat Disc.....PCTFE ASTM D1430
 Seat Retainer.....Brass ASTM B16
 Bonnet ScrewsASTM F837
 Handwheel..... Painted Aluminum

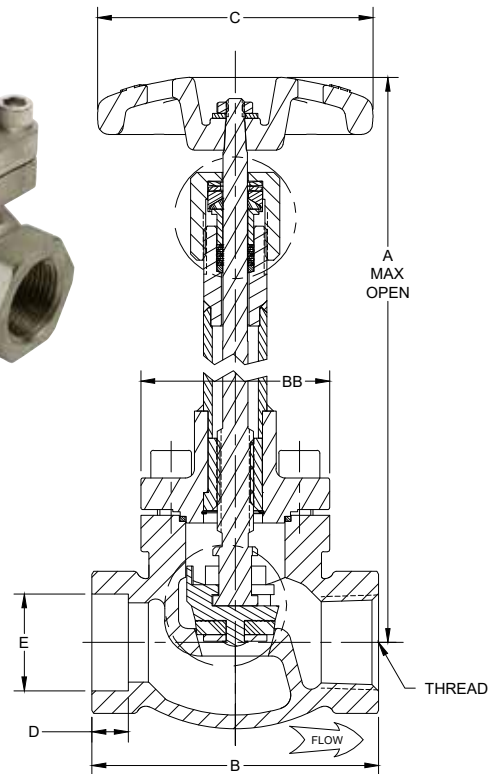
Quality / Facility Features

- Material traceability in accordance with BS EN 10204 3.1
- CE Marking per European Pressure Equipment Directive

TPED & PED Certified 



SKL9408ST



Ordering Information

Part Number	Size Inches	Size DN	Connection		A Inches	A mm	B Inches	B mm	C Inches	C mm	Cv	Kv	Weight lbs	Weight kg
			Inlet	Outlet										
SKL9404ST	1/2"	15	Socket Weld	Threaded NPT	14.6	370	3.09	78.48	4	102	5	4.30	3.47	1.68
SKL9408ST	1"	25					3.95	100.33			14	12.10	5.34	2.42
SKL9412ST	1 1/2"	40			5.00	127	5	127	28.3	24.45	9.48	4.30		
SKL9416ST	2"	50			5.92	150.37			53	45.8	16.3	7.39		