

Stainless Steel Globe Valves for Cryogenic Service

SK Advantage Series Short Stem, Inlet Socket Weld, Outlet Threaded NPT

Application

The SKS Series globe valves short stem are designed for handling of vapor phase and cryogenic liquids through bulk tanks, trucks, trailers, ISO-containers and piping configurations. Our time tested spring loaded stem packing and superior seat design provide for long life and easy maintenance. Recommended for vapor phase and intermittent cryogenic liquid use.

Features

- Superior Flow: Provides high Cv for rapid and reliable loading and unloading
- Designed with the unique Kold-Seal™
- Conical PCTFE Seat: provides exceptional flow; bubble tight seal; less chance of debris trapped in the seat and longer service life
- Connections: Socket Weld & Butt Weld
- Sizes: ¼" to 1½"
- Bonnet Type: Bolted
- Pressure Rating: 720 psig (50 barg)
- Temperature Rating: -320°F (-196°C) to +150°F (+65°C)
- Service: Liquefied & Vaporized Atmospheric Gases and LNG for Trailers, Bulk Tanks, Iso-Containers and Piping Configurations
- Cleaned for Oxygen Service per CGA G-4.1

Materials

Body Stainless Steel ASTM A351 CF8
 Bonnet and Tube Stainless Steel ASTM A351 CF8/ASTM A479 type 304
 Stem Stainless Steel ASTM A582 S30300
 Spring Stainless Steel ASTM A313 S30200
 Packing Live Loaded PTFE Packing
 Gasket PTFE 25% Glass Fill
 Seat Disc PCTFE ASTM D1430
 Seat Retainer Brass ASTM B16
 Bonnet Screws ASTM F837
 Handwheel Painted Aluminum

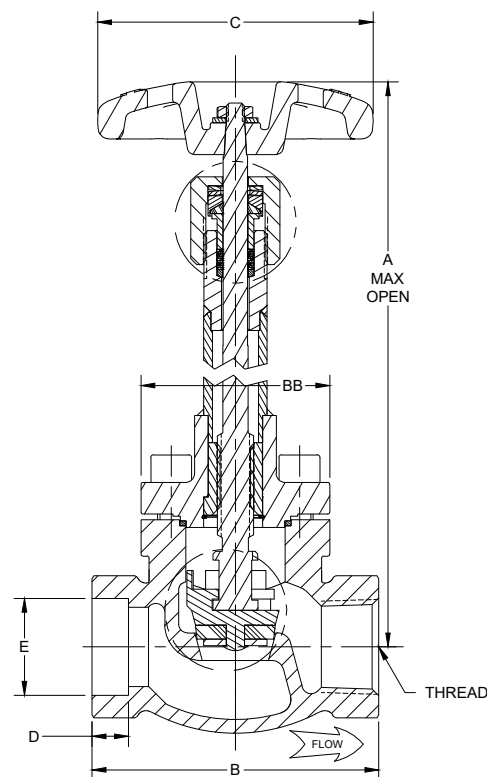
Quality / Facility Features

- Material traceability in accordance with BS EN 10204 3.1
- CE Marking per European Pressure Equipment Directive

PED Certified



SKS9408T



Ordering Information

Part Number	Size Inches	Size DN	Connection		A Inches	A mm	B Inches	B mm	C Inches	C mm	Cv	Kv	Weight lbs	Weight kg
			Inlet	Outlet										
SKS9404ST	½"	15	Socket Weld	Threaded NPT	6.7	170	3.09	78.48	4	102	5	4.30	2.62	1.19
SKS9408ST	1"	25					3.95	100.33			14	12.10	4.10	1.86
SKS9412ST	1½"	40			7.0	178	5.00	127.00	5	127	28.3	24.45	7.16	3.25